

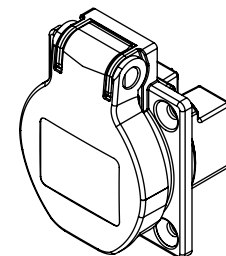
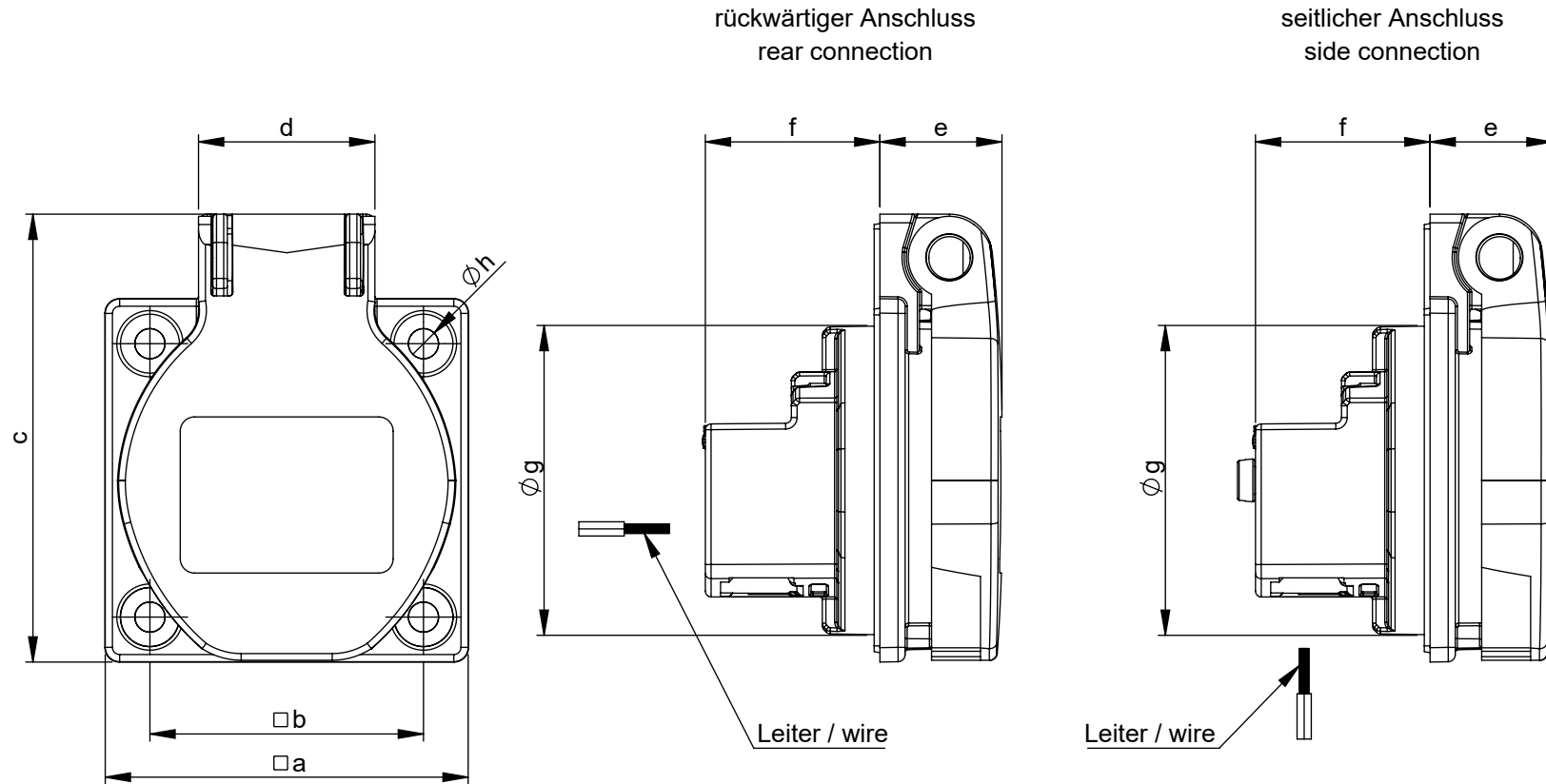
Maßskizze / dimensional drawing

Benennung: P-NOVA+ Schutzkontaktsteckdose nach österr./deutsch. System

description: P-NOVA+ socket outlet Austrian/German system

Teilenummer / part number: 1050-0*

PCE



| | |
|--------|------|
| Ampere | 16 |
| Pole | 2P+E |
| a [mm] | 50 |
| b [mm] | 38 |
| c [mm] | 62 |
| d [mm] | 25 |
| e [mm] | 18 |
| f [mm] | 24 |
| g [mm] | 43 |
| h [mm] | 4,2 |